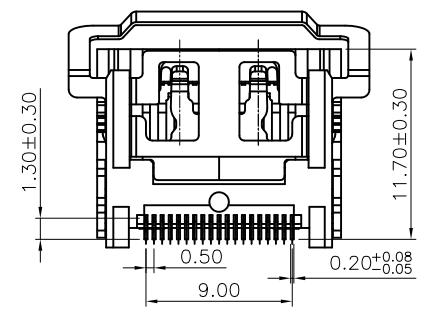


TECHNICAL REQUIREMENTS:

1. MECHANICAL:
  - 1.1 WITHDRAWAL FORCE AFTER 2000 CYCLES: 39.2N MAX,9.8N Min.
  - 1.2 WITHDRAWAL FORCE AFTER 2001-10000 CYCLES:4.9N Min,39.2N Max.
  - 1.3 INSERTION FORCE:44.1N Max.
2. ELECTRICAL:
  - 2.1 CONTACT CURRENT RATING: 0.5A MIN.
  - 2.2 VOLTAGE RATING: 40V AC(RMS)
  - 2.3 WITHSTANDING VOLTAGE:
    - 500 VOLTS AC BETWEEN ADIACENT TERMINAL(UNMATE)
    - 300 VOLTS AC BETWEEN ADIACENT TERMINAL(MATE)
  - 2.4 INSULATION RESISTANCE:
    - 100 MOHM MIN.(UNMATED); 10 MOHM MIN.(MATED)
  - 2.5 CONTACT RESISTANCE: 30 MILLIOHMS MAX.
3. ENVIRONMENTAL:
  - 3.1 OPERATING TEMPERATURE: -25? to +85?
  - 3.2 STORAGE TEMPERATURE: 20? TO 25?



1	SPRING	STAINLESS STEEL	④
1	HOUSING	LCP BLACK UL94V-0	③
19	CONTACT	COPPER ALLOY, GOLD FLASH PLATED ON CONTACT AREA TIN PLATING ON SOLDER AREA, NI PLATING UNDER OVER ALL	②
1	SHELL	SPCC/BRASS ,NI PLATING OVER ALL.	①
QTY'S	PART	SPECIFICATION	ITEM

版本 千川	變更內容 MODIFIXATION	日期 DATE
00	新整理	2020. 10. 23



公差 TOLERANCE	數量 QUANTITY	制圖 DRAWIN	潘红国	品名 TITLE	HDMI 19Pin 母座 卧式SMT 帶EMI彈片 四脚插板 L=10.60mm		
.X ± 0.38	單位 UNIT	審核 CHECKED	TOMS	料號 PART NO.	QHMFK1-GFSN0R9		
.XX ± 0.25	比例 SCALE	核准 APPROVE	L G L	材質 MATERIAL	圖号 DRAW NO.		
.XXX ± 0.10	圖幅 SIZE	角法 PROJ.	頁數 SHEET	顏色 COLOR	1 OF 1		
X° ± 2°							
X° ± --							