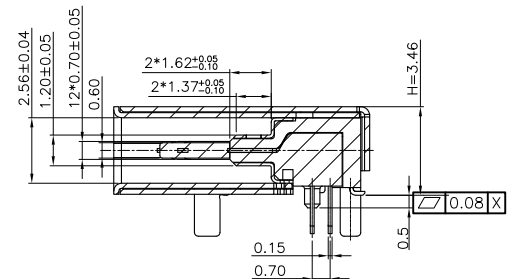
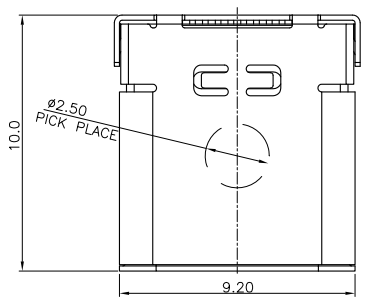
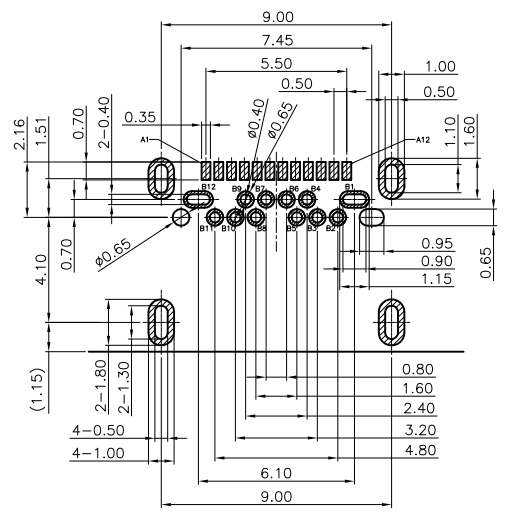
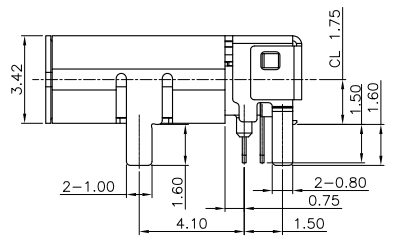
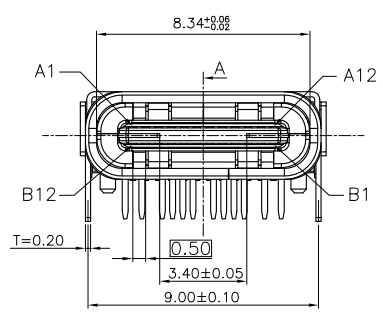


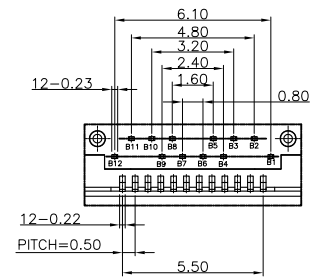
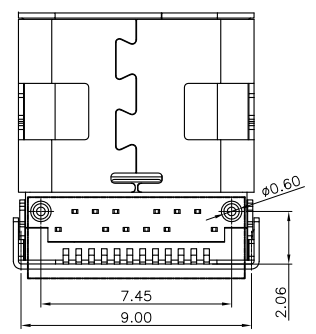
A
B
C
D
E
F



Section A-A
Scale 1:1



RECOMMEND P.C.B LAYOUT (COMPONENT SIDE)
TOLERANCE FOR PCB LAYOUT IS ± 0.05



Detail A
Scale 1:1

TECHNICAL REQUIREMENTS:

- 1.MECHANICAL:
 - INSERTION: 5~20N.
 - EXTRACTION: 8~20N.
 - DURABILITY: 10000 CYCLES
- 2.ELECTRICAL:
 - CURRENT: 5A MIN FOR VBUS;
 - 0.25A MIN FOR OTHER.
 - VOLTAGE: 20 V MAX
 - WITHSTANDING VOLTAGE: 100V AC.
 - CONTACT RESISTANCE: 40mΩ MAX.
 - INSULATION RESISTANCE: 100MΩ MIN.
- 3.ENVIRONMENTAL
 - TEMPERATURE RANGE -55°C ~ +85°C

QTY'S	PART	SPECIFICATION	ITEM
1	TOP SHELL	Stainless Steel.	⑥
2	HOUSING	LCP BLACK UL94V-0	⑤
20	CONTACT	COPPER ALLOY, GOLD FLASH PLATED ON CONTACT AREA TIN PLATING ON SOLDER AREA, NI PLATING UNDER OVER ALL	④
1	Mid Plate	Stainless Steel	③
1	GND Plate	Stainless Steel	②
1	SHELL	Stainless Steel, Ni PLATING OVER ALL.	①

版本	變更內容	日期
千川	MODIFICATION	DATE



公差	數量	制圖	潘富国	品名	USB TYPE C 24Pin 母座 板上式DIP+SMT		
TOLERANCE	QUANTITY	DRAWING	潘富国	TITLE	双壳有柱 四脚插板 L=10.00mm		
.X ± 0.35	單位	審核	FLD	料號	SUCF24SA4-03UN0R11		
.XX ± 0.25	mm	核准	LGL	材質			
.XXX ± 0.15	比例	角法		頁數	1 OF 3	顏色	
X° ± 3°	圖幅	PROJ.		SHEET			
.X° ± 1.5°	SIZE						