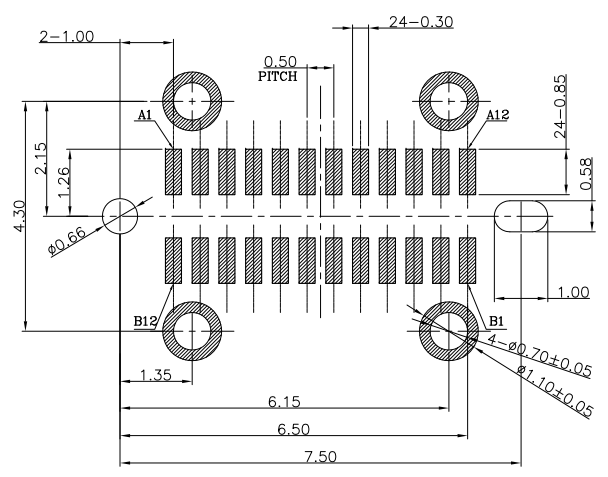


TECHNICAL REQUIREMENTS:

- MECHANICAL:
 - INSERTION: 5~20N.
 - EXTRACTION: 8~20N.
 - DURABILITY: 10000 CYCLES
- ELECTRICAL:
 - CURRENT: 5A MIN FOR VBUS; 0.25A MIN FOR OTHER.
 - VOLTAGE: 20 V MAX
 - WITHSTANDING VOLTAGE: 100V AC.
 - CONTACT RESISTANCE: 40mΩ MAX.
 - INSULATION RESISTANCE: 100MΩ MIN.
- ENVIRONMENTAL
 - TEMPERATURE RANGE -55°C ~ +85°C



RECOMMENDED P.C.B. LAYOUT (T:1.00mm)
TOLERANCE UNSPECIFIED ±0.05mm
SCALE: 2:1

QTY'S	PART	SPECIFICATION	ITEM
2	HOUSING	LCP BLACK UL94V-0	⑤
20	CONTACT	COPPER ALLOY, GOLD FLASH PLATED ON CONTACT AREA TIN PLATING ON SOLDER AREA, NI PLATING UNDER OVER ALL	④
1	Mid Plate	Stainless Steel	③
1	GND Plate	Stainless Steel	②
1	SHELL	Stainless Steel, NI PLATING OVER ALL.	①

版本 千川	變更內容 MODIFICATION	日期 DATE



公差 TOLERANCE	數量 QUANTITY	制圖 DRAWING	潘富国	品名 TITLE	USB TYPE C 24Pin 母座 直立式SMT 四脚插板 有柱 H=6.5		
.X ± 0.35	單位 UNIT	審核 CHECKED	TOMS	料號 PART NO.	SUCF24V1-GFUNOR11		
.XX ± 0.25	比例 SCALE	核准 APPROVE	LGL	材質 MATERIAL			
.XXX ± 0.15	圖幅 SIZE	角法 PROJ.	☉	頁數 SHEET	10F1	顏色 COLOR	
X° ± 3°							
.X° ± 1.5°							